



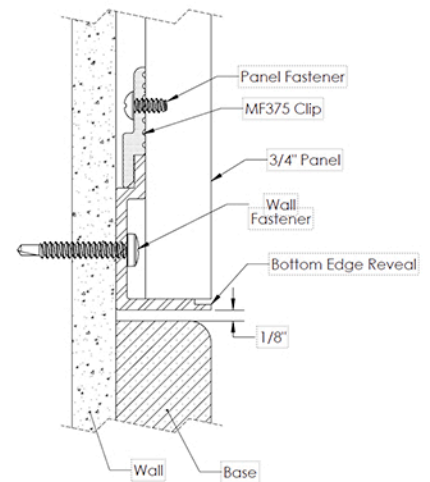
REDBUD
ARCHITECTURAL
SYSTEMS

The Wall Panel system offers a visually attractive and easily installed wood system. The MDF core and applied surface veneer allow for a vast range of wood species and finishes.

KEY FEATURES

- Cost effective and functional system.
- Intuitive installation centered around Z Clips.
- Close to 100 different aesthetics possible.
- Compatible with 3/4" and 3/8" panels..
- Range of edge and corner trims for various conditions.

Introducing our wall panel system featuring a diverse selection of trims and reveals. This customizable solution allows you to create a unique look that perfectly complements your space. With various options available, you can enhance the aesthetic of your interiors while ensuring a polished finish. Elevate your design with our versatile wall panel system today!



Panel Profiles



1/2 Captured



Captured



Narrow Channel



Narrow



Proud



Recessed



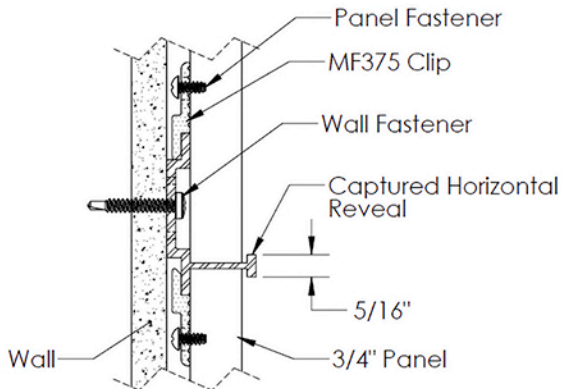
Stainless Captured



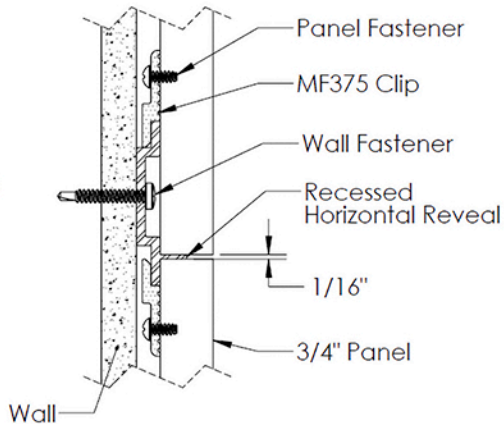
Wide

Wall Panel Detail

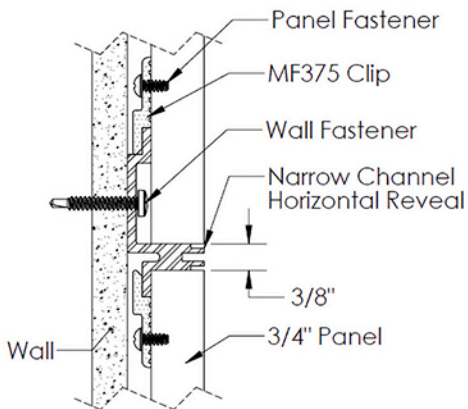
Horizontal Reveal Alternatives



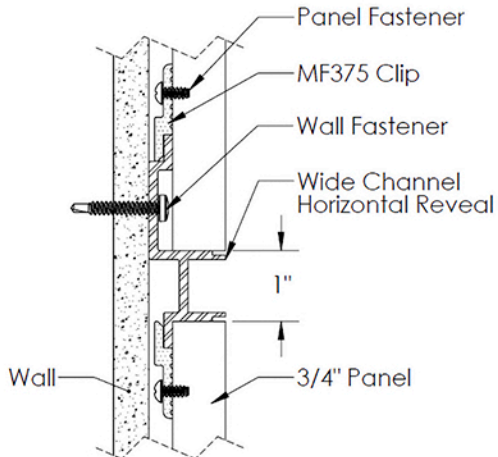
Captured Horizontal



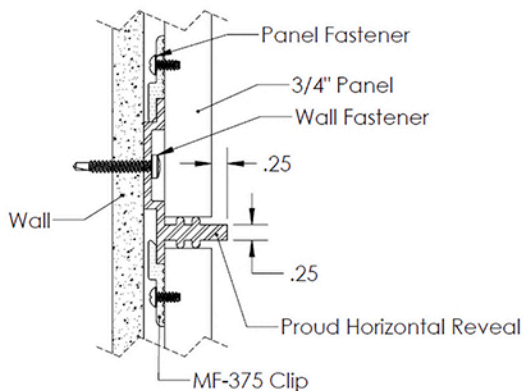
Recessed Horizontal



Narrow Horizontal



Wide Horizontal

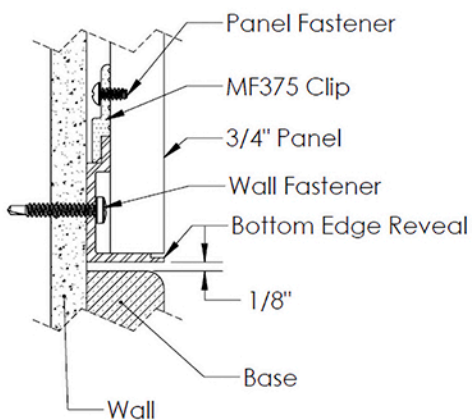


Proud Horizontal

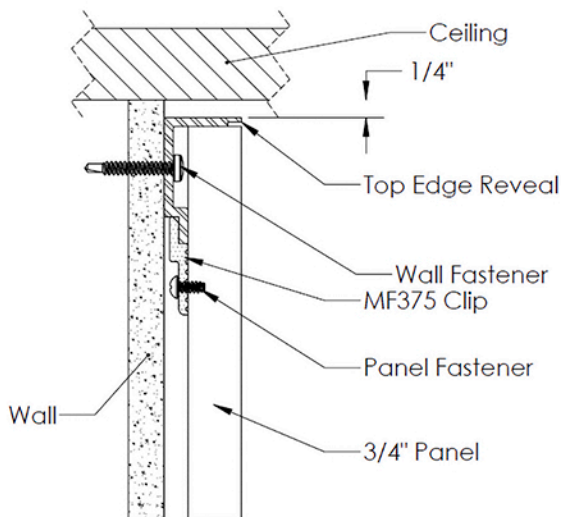


Wall Panel Detail

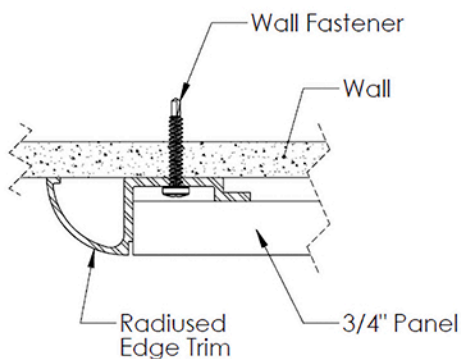
Panel Edge Trim Alternatives



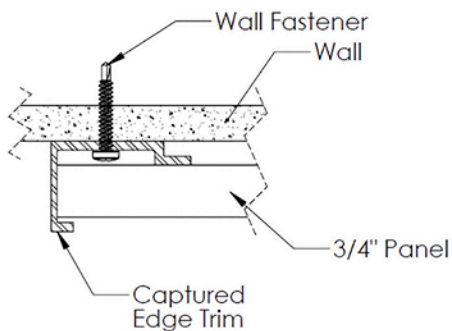
Bottom Edge Trim



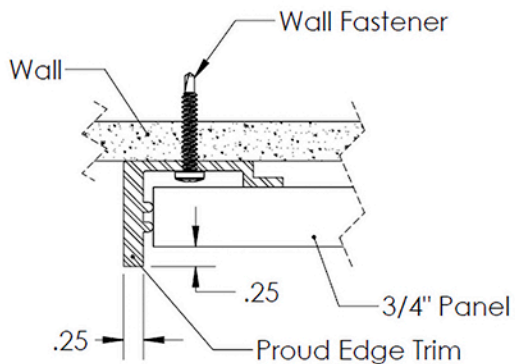
Top Edge Trim



Radius Edge Trim



Captured Edge Trim

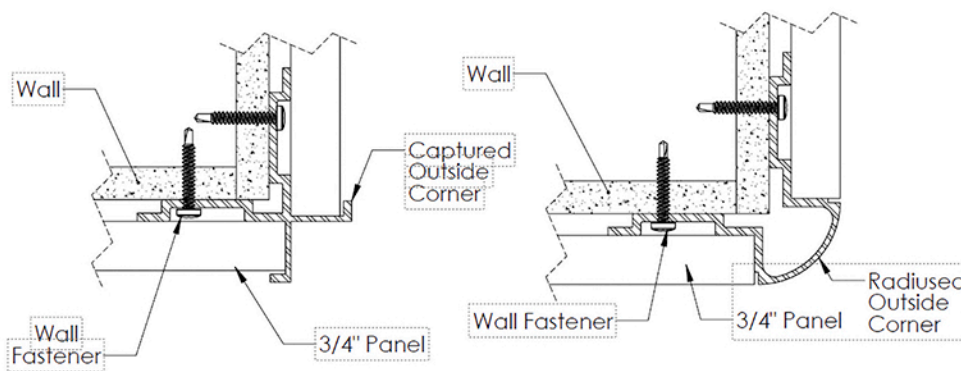


Proud Edge Trim



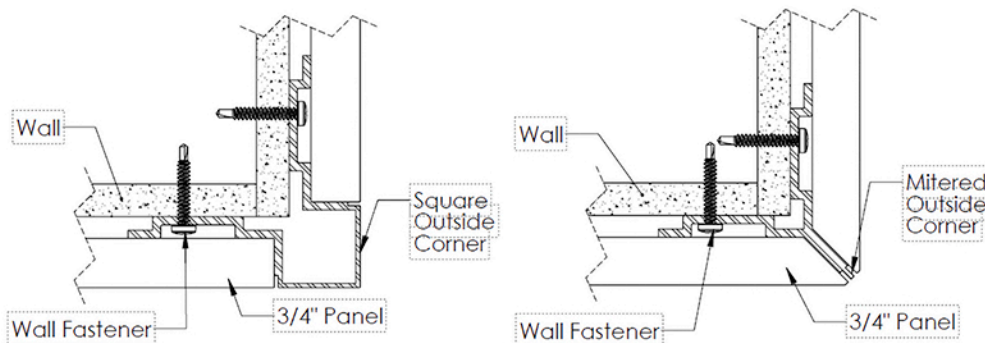
Wall Panel Detail

Corner Trim Alternatives



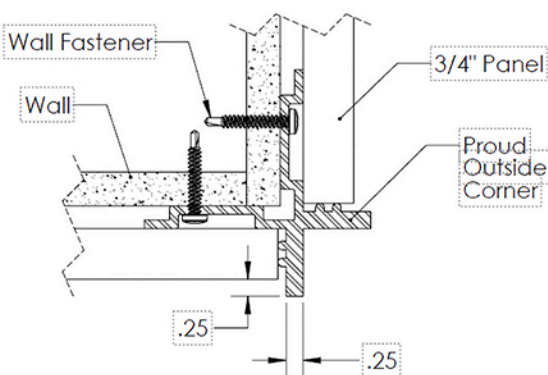
Captured Outside Corner

Radiused Outside Corner



Squared Outside Corner

Mitered Outside Corner



Proud Outside Corner





LEED

Depending on product it may contribute to lead credits. Please contact us for more information.



Sustainability

The Wall Panel system is manufactured responsibly using sustainable raw materials.



Storage and Acclimitization

All materials must be stored and installed only in a controlled interior environment (relative humidity range 25% - 55% maximum - temperature between 60° - 80° - not to exceed 86°). All windows, doors and wet work must be complete before installation. Material should only be installed after reaching equilibrium moisture content.



Compliance with seismic codes

The Wall Panel system, when installed onto a seismic code compliant suspension grid with screw attachment through the wood backer to the grid will satisfy seismic code requirements. Consult with local codes or a licensed engineer for any additional requirements.



Fire Rating

The Wall Panel system can be manufactured to achieve ASTM E-84 Class A rating compliance.



Warranty

All materials produced by Redbud Architectural Systems are guaranteed against manufacturing defects for one year from the date of delivery. *Due to the nature of wood stains, color matching can not be guaranteed.

Species and Finishes

Species: Ash



Species: Cherry



Species: Walnut



Species: Maple



Species: White Oak



Species: Red Oak

